



FAG

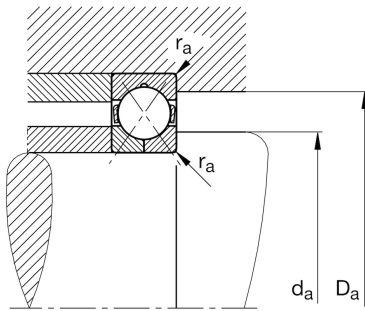
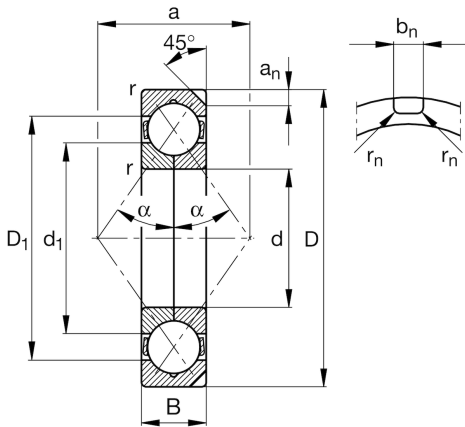
## QJ216-XL-N2-MPA

Four-point contact bearing

Schaeffler ID:  
0167423380000Four point contact bearing QJ2..-XL-N2-  
MPA, X-life, holding grooves, solid brass  
cage

X-life

## Technical information



## Main Dimensions &amp; Performance Data

d	80 mm	Bore diameter
D	140 mm	Outside diameter
B	26 mm	Width
C <sub>r</sub>	136.000 N	Basic dynamic load rating, radial
C <sub>0r</sub>	137.000 N	Basic static load rating, radial
C <sub>ur</sub>	9.700 N	Fatigue load limit, radial
n <sub>G</sub>	9.400 1/min	Limiting speed
n <sub>gr</sub>	4.250 1/min	Reference speed
	1,728 kg	Weight

## Dimensions

r <sub>min</sub>	2 mm	Minimum chamfer dimension
D <sub>1</sub>	119,6 mm	Shoulder diameter outer ring
d <sub>1</sub>	100,9 mm	Shoulder diameter inner ring
a	77 mm	Distance between the apexes of the pressure cones
a <sub>n</sub>	8,1 mm	Height retaining slot
b <sub>n</sub>	6,5 mm	Width retaining slot
r <sub>n</sub>	1 mm	Radius retaining slot
	45 °	Angle retaining slot
α	35 °	Contact angle

## Mounting dimensions

d <sub>a min</sub>	91 mm	Minimum diameter shaft shoulder
D <sub>a max</sub>	129 mm	Maximum diameter of housing shoulder
r <sub>a max</sub>	2 mm	Maximum fillet radius

## Temperature range

T <sub>min</sub>	-30 °C	Operating temperature min.
T <sub>max</sub>	150 °C	Operating temperature max.